

Radio System Millenium Livewire Consoles

Standalone Reliability with Network Functionality

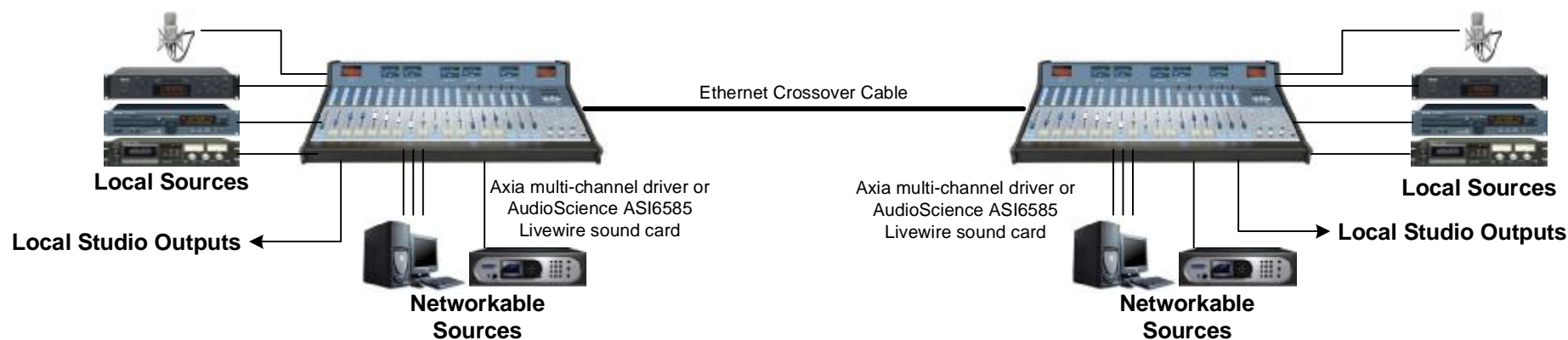
Layout #1 - Standalone Livewire Console



Note: Supports Axia and Digital Delivery Livewire enabled products. 8 scenes are mapable to Livewire channels.

Parts List
(1) Millenium RS-12DLW Livewire Consoles

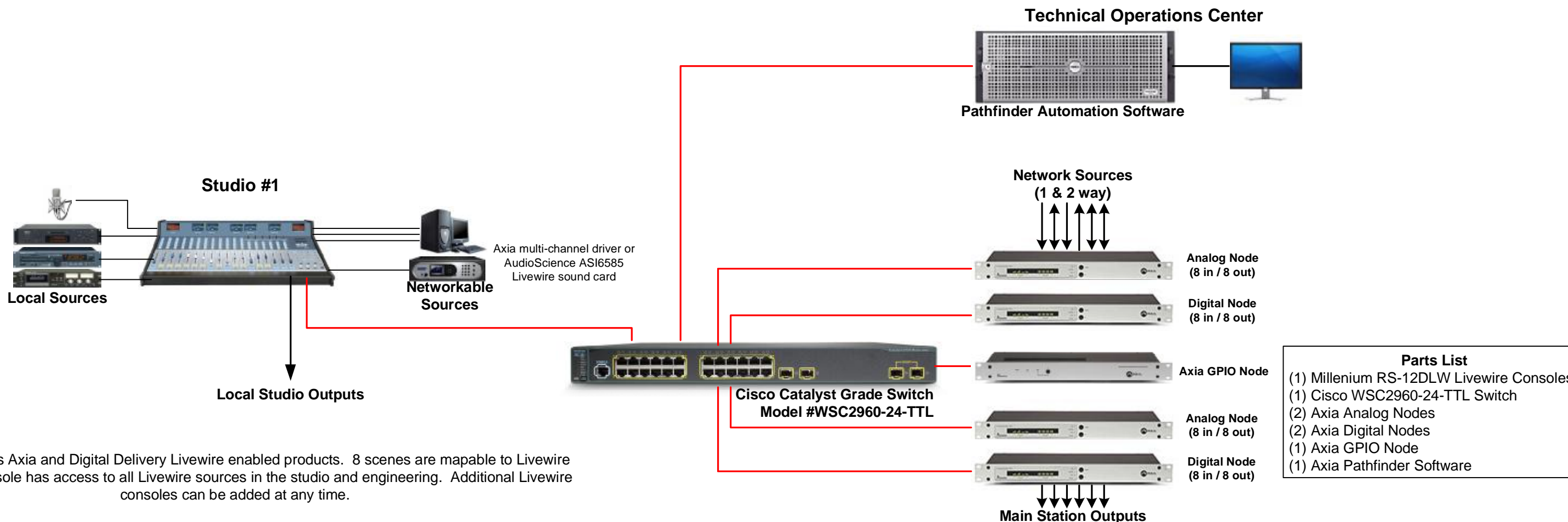
Layout #2 - Two Livewire Consoles



Note: Supports Axia and Digital Delivery Livewire enabled products. 8 scenes are mapable to Livewire channels. All Livewire sources mapable between both consoles. No ethernet switch required.

Parts List
(2) Millenium RS-12DLW Livewire Consoles


Layout #3 - Livewire Console with Engineering Nodes



Note: Supports Axia and Digital Delivery Livewire enabled products. 8 scenes are mapable to Livewire channels. Console has access to all Livewire sources in the studio and engineering. Additional Livewire consoles can be added at any time.

Parts List
(1) Millenium RS-12DLW Livewire Consoles
(1) Cisco WSC2960-24-TTL Switch
(2) Axia Analog Nodes
(2) Axia Digital Nodes
(1) Axia GPIO Node
(1) Axia Pathfinder Software

Each console contains an 8x8 analog/digital Livewire node.
All Livewire sources are mapable to six faders on any Millenium console surface.
Each console accepts up to 24 analog/digital local sources.
Each console has a direct/local output for standalone redundant operation.

	601 Heron Drive Logan Township, NJ 08085 856-467-8000 http://www.radiosystems.com	Project: Livewire Configuration
		Drawing Title: Standalone Reliability with Network Functionality
	Designer: DJB	Date/Rev: 1-9-2008