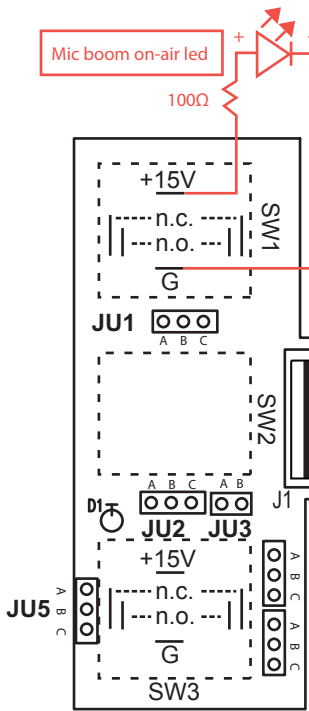


3BUTT 3 Switch Panel with LED Lamps

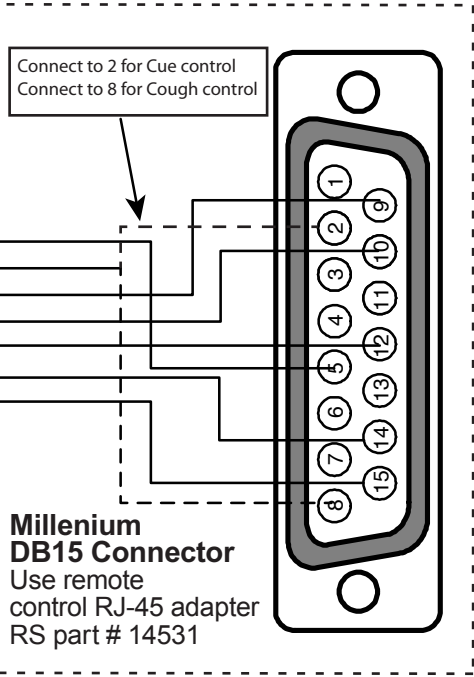
RS part # SH-3BUTRJ12V (12V LED model)

RS part # SH-3BUTRJ5V (5V LED model)



- JU1/2/6** - Local/Remote Lamp Control
Jump A & B for Remote / Jump B & C for Remote
- JU3** - Remove for Millenium Console (Config. 1&2)
- JU4** - 15v/G to Lamp
Jump A & B for 15v / Jump B & C for Ground
- JU5** - 15v/G to Switch
Jump A & B for 15v / Jump B & C for Ground

- 1 (wht/org) → Channel off control
- 2 (org/wht) → Cough/Cue control
- 3 (wht/grn) ← Off lamp status
- 4 (blu/wht) ← Ground (switch com.)
- 5 (wht/blu) → Channel on control
- 6 (grn/wht) ← On lamp status
- 7 (wht/brn) ← +DC (lamp com.)
- 8 (brn/wht) ← Lamp-3 status
(no connection from console in configurations 1 & 2)

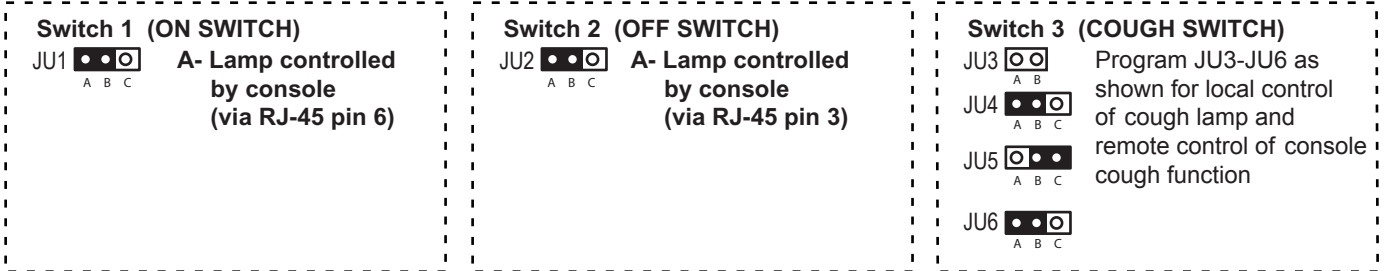


Part # 14530
use to connect 3BUTT to Millenium Console via a 568B CAT-5 Patch cable for **INPUT A CONTROL**



Part # 14538
use to connect 3BUTT to Millenium Console via a 568B CAT-5 Patch cable for **INPUT B CONTROL**

Configuration 1 - ON/OFF/COUGH Control via Millenium Console (use part # SH-3BUTTRJ12V)



Configuration 2 - ON/OFF/CUE (IFB) Control via Millenium Console (use part # SH-3BUTTRJ12V)

