

NOTE

All red part numbers indicate customer specified cable lengths. Substitute from 010' to 250' in place of stock length shown to order a custom length.

StudioHub+ Solutions for Gates Air VistaMax Frame Break-Out

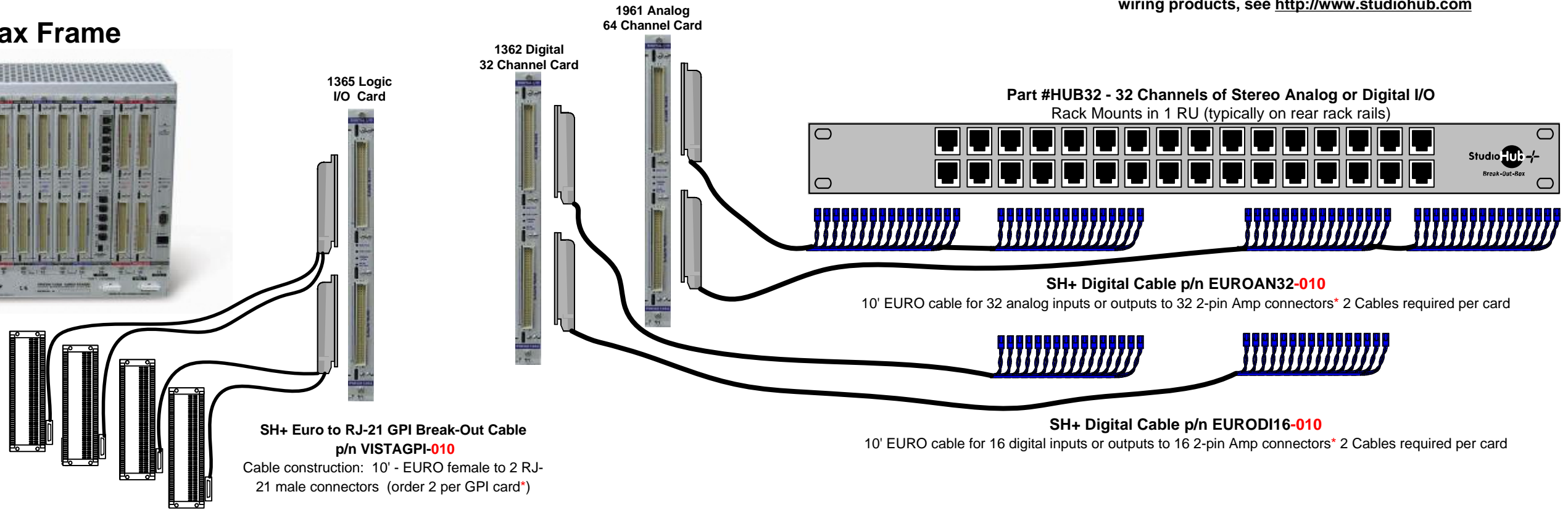
This page features the Studio-Hub+ items custom made for VistaMax as well as the most popular StudioHub+ solutions for all your studio wiring. For the complete line of StudioHub+ solutions with hundreds of other wiring products, see <http://www.studiohub.com>

R
A
C
K
R
O
O
M

VistaMax Frame



SH+ 66B Punch Blocks
w/ integrated RJ-21 (female) connector p/n 11616
Also available - w/ 2 integrated RJ-21(female) connectors p/n 15811



S
T
U
D
I
O

Netwave Control Surface



SH+ Analog Cable p/n MOD6RJ45-010
10' MOD-IV (6 pin) cable for 1 analog stereo input or output to 1 RJ-45 connector.
(1 cable required per console digital I/O*)

SH+ Digital Cable p/n MOD3RJ45-010
10' MOD-IV (3 pin) cable for 1 digital input or output to 1 RJ-45 connector.
(1 cable required per console digital I/O*)

SH+ Analog Cable p/n 16048-010
10' MOD-IV (6 pin) cable for 1 analog stereo input or output to 2 mini-Amp connectors.
(1 cable required per console analog I/O*)

SH+ Digital Cable p/n 18776-010
10' MOD-IV (3 pin) cable for 1 digital input or output to 1 mini-Amp connectors.
(1 cable required per console digital I/O*)

Part #HUB16-DC
w/ RJ-45's In and Out
Wall Mount or Rack Mounts in 3 RU

Part #HUB36-DC
w/ mini-Amp In and RJ-45's Out
Wall Mount or Rack Mounts in 3 RU

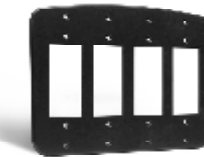
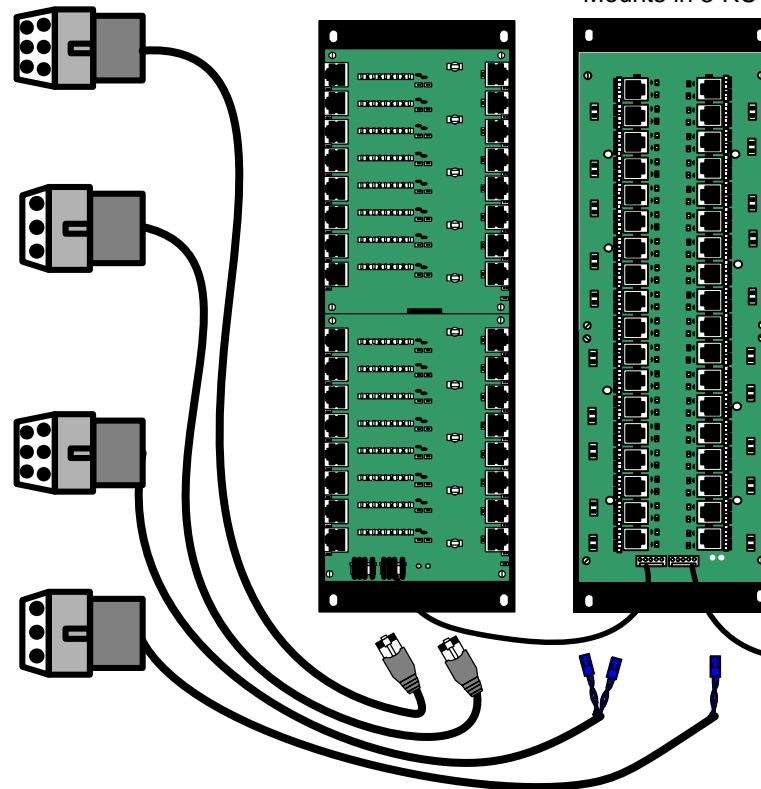
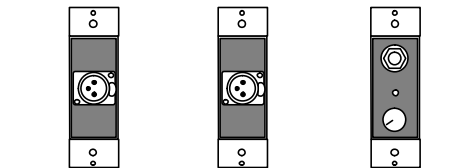
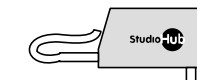


Plate Table Surface Mounts
p/n SH-SURF1 (single)
p/n SH-SURF2 (dual)
p/n SH-SURF3 (triple)
p/n SH-SURF4 (quad)

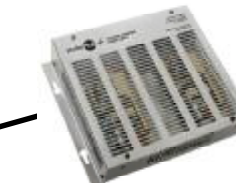


XLR Female Mic Jack (passive) p/n SH-1XLRF
XLR Female Mic Pre-Amp (powered) p/n SH-MIC
Head Phone Amp (powered) p/n SH-HP



Wall Wart External Power Supply p/n PS-WW

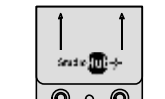
Use 1 wall wart supply per powered peripheral or power all peripherals centrally by using the Hub36-DC and an external power supply



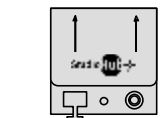
StudioHub+ External Power Supply p/n PS-EXTU



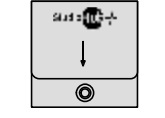
MatchJack Pre-Amp In (powered) p/n MJ-IN



MatchJack Pre-Amp Out (powered) p/n MJ-OUT



MatchJack S/PDIF to AES/EBU Converter (powered) p/n MJ-SPDIFIN



MatchJack AES/EBU to S/PDIF Converter (passive) p/n MJ-SPDIFOUT



CAT-5 Patch Cable

Select various length CAT-5 shielded patch cords and XLR and TRS adapters to wire directly to source gear