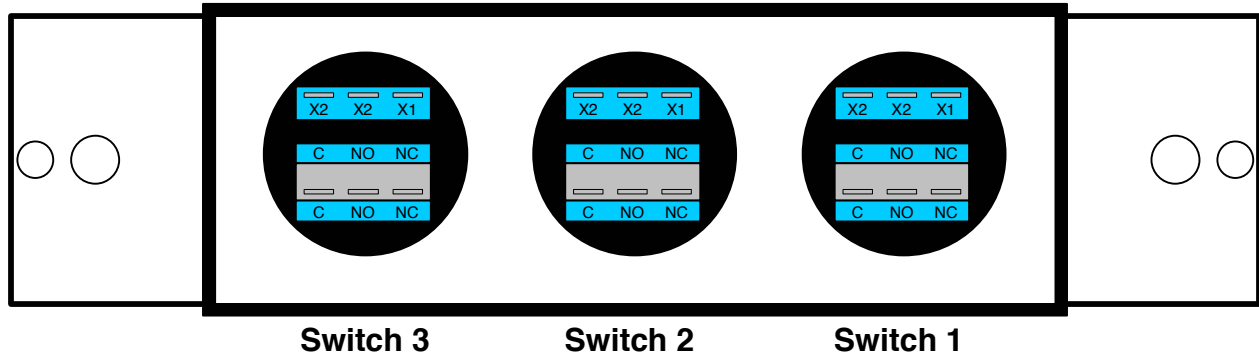


# StudioHub+ Push Button Plates Pinout Guide

Viewed from Rear  
(Idec Manufactured Switch - Supplied Post 2003)



| Pins  | Contact                     |
|-------|-----------------------------|
| X1    | Lamp +                      |
| X2/X2 | Lamp - (2 pins in parallel) |
| NC    | Normally Closed             |
| NO    | Normally Open               |
| C     | Common                      |

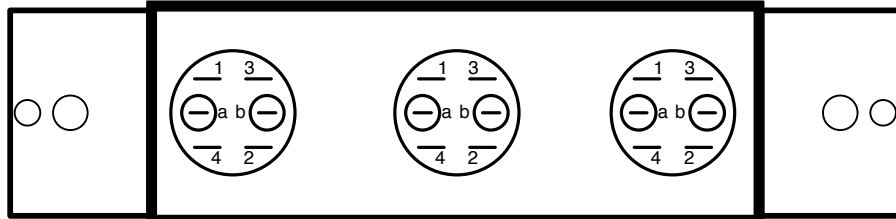
Switch contacts are rated at 2 amps.

Lamps are type - T 1 3/4 (miniature flange base)

RS Part #7068 - #382 Lamp @ 14V (factory standard provided with switch)

RS Part #16502 - #7333 Lamp @ 5V (available on request)

Viewed from Rear  
(E-Switch Manufactured Switch - Supplied Pre 2003)



| Pins | Contact         |
|------|-----------------|
| 1-2  | Normally Closed |
| 3-4  | Normally Open   |
| A-B  | Lamp            |

RS Part #7068 - #386 Lamp @ 14V (factory standard provided with switch)

Note - Switch hole size is .630"  
(approx. 11/16" bit)