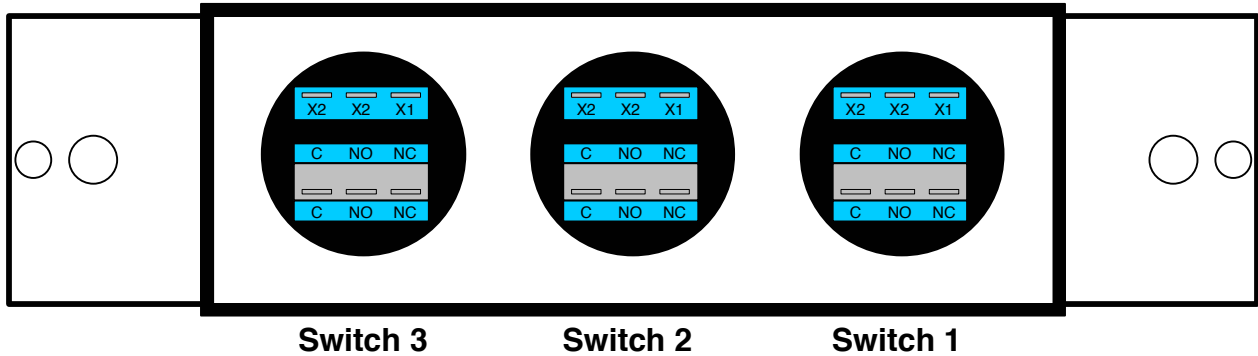


# StudioHub+ Push Button Plates

## Pinout Guide

Viewed from Rear  
(Idec Manufactured Switch - Supplied Post 2003)



Pins	Contact
X1	Lamp +
X2/X2	Lamp - (2 pins in parallel)
NC	Normally Closed
NO	Normally Open
C	Common

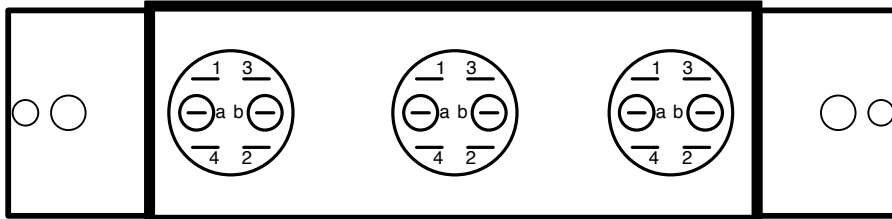
Switch contacts are rated at 2 amps.

Lamps are type - T 1 3/4 (miniature flange base)

RS Part #7068 - #382 Lamp @ 14V (factory standard provided with switch)

RS Part #16502 - #7333 Lamp @ 5V (available on request)

Viewed from Rear  
(E-Switch Manufactured Switch - Supplied Pre 2003)



Pins	Contact
1-2	Normally Closed
3-4	Normally Open
A-B	Lamp

RS Part #7068 - #386 Lamp @ 14V (factory standard provided with switch)

Note - Switch hole size is .630"  
(approx. 11/16" bit)