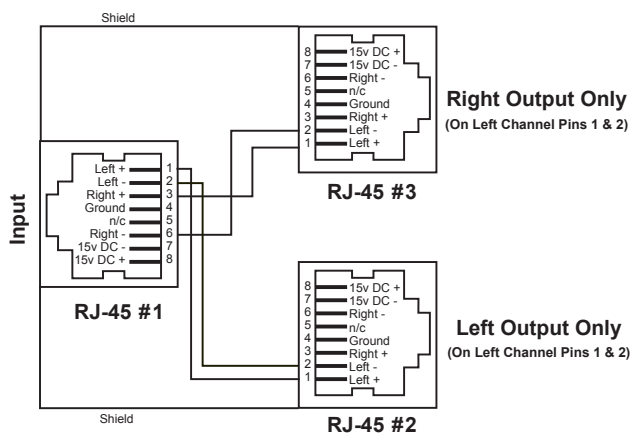
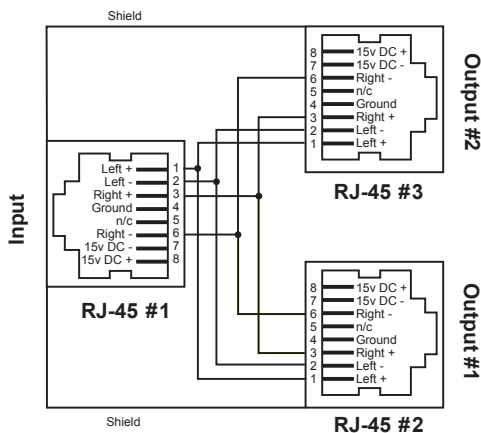


StudioHub+ Adapter Combiners / Attenuator / Summing Schematics

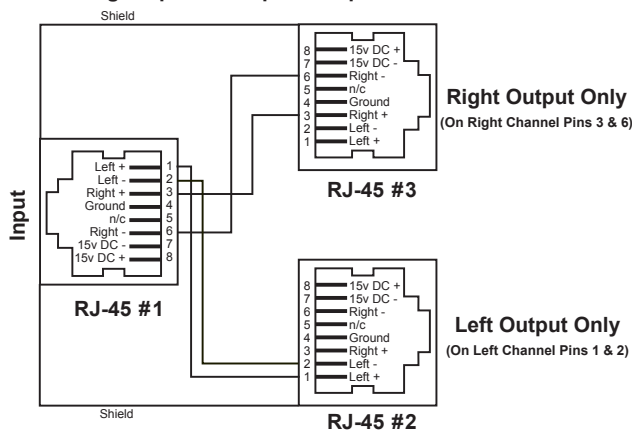
Left-Left Splitter Adapter RS p/n ADAPT-L/L



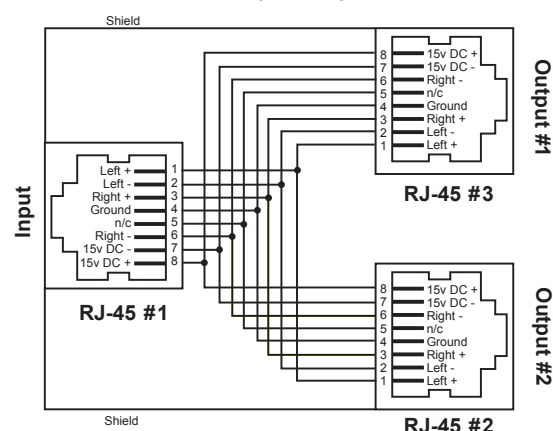
Stereo T Adapter RS p/n ADAPT-ST



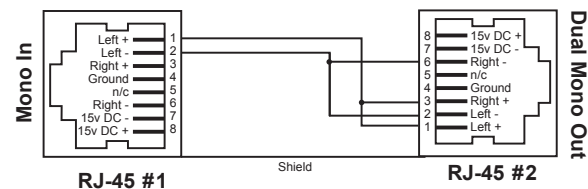
Left-Right Splitter Adapter RS p/n ADAPT-L/R



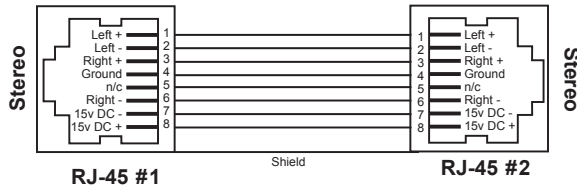
Powered T Adapter RS p/n ADAPT-PWR



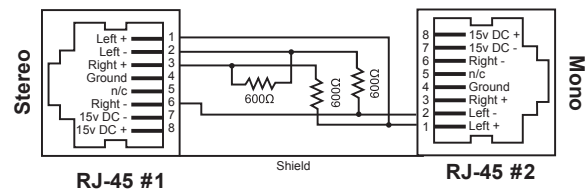
Mono Adapter RS p/n ADAPT-MONO
Sends left input to left+right output (dual mono)



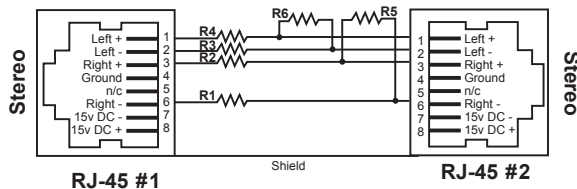
Coupler Adapter RS p/n ADAPT-COUPLER
Utilized to connect (splice) two male RJ-45 connectors



In-Line Summing Pad RS p/n ADAPT-SUM
Sends left + right to left only (via lattice network)



In-Line Attenuator Pad RS p/n ADAPT-ATTEN10/15/20
Available as 10, 15, or 20dB Attenuation



NOTE:

Pad can be utilized in either direction.
(To mix stereo to mono or parallel a mono input to dual mono out.)
A 6dB loss is created in either direction.

	R1	R2	R3	R4	R5	R6
10dB Attenuation	1kΩ	1kΩ	1kΩ	1kΩ	1kΩ	1kΩ
15dB Attenuation	1kΩ	1kΩ	1kΩ	1kΩ	475Ω	475Ω
20dB Attenuation	1kΩ	1kΩ	1kΩ	1kΩ	221Ω	221Ω