

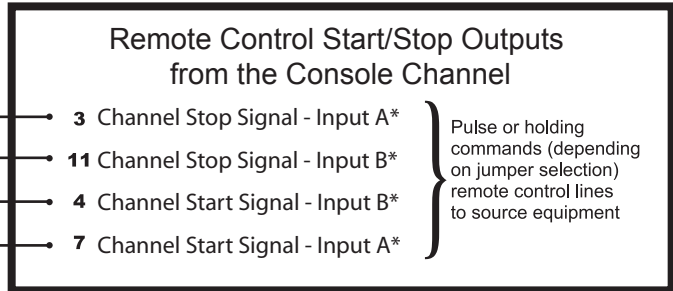
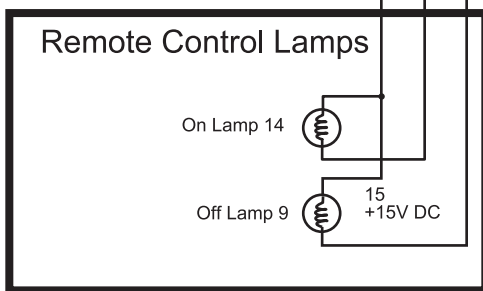
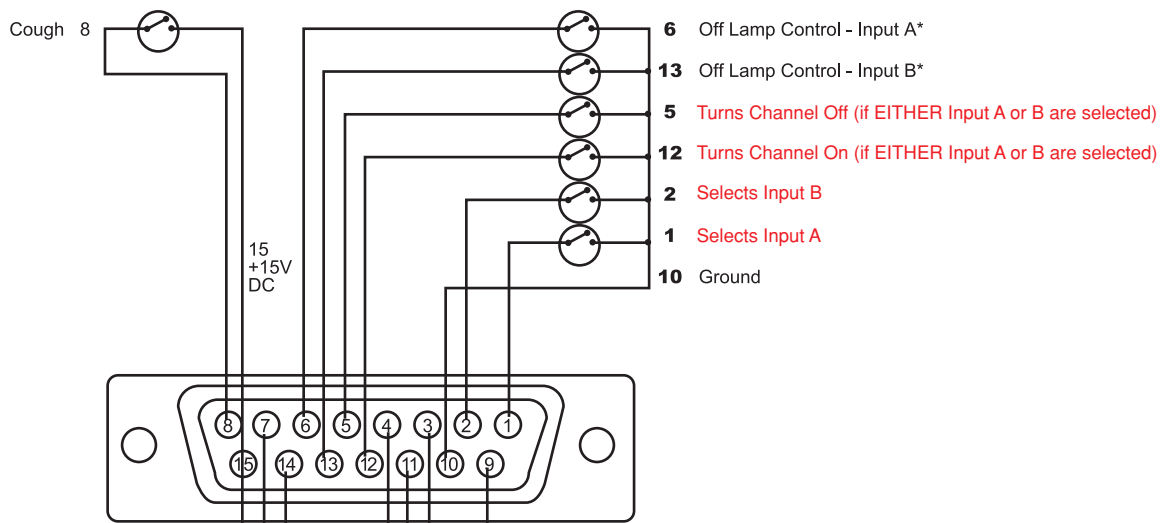
Millenium Console Remote Control PROM

Providing Remote ON/OFF and A/B Select

Part #14844 for Analog Consoles for Control Board Revs 10882B

Part #18378 for Analog Consoles for Control Board Revs 10882C,D,E

Remote Control On/Off Inputs to the Console Channel



Functions Descriptions

Pin #	Function
1	Input to remotely select input A
2	Input to remotely select input B
3	Output from the console to stop a source if input A is selected
4	Output from the console to start a source if input B is selected
5	Input to turn the console channel OFF (when either input A or B are selected)
6	Input to turn the console channel on if input A is selected
7	Output from the console to start a source if input A is selected
8	Holding input to turn the console channel off (cough function)
9	Remote channel off lamp
10	Ground
11	Output from the console to stop a source if input B is selected
12	Input to turn the console channel ON (when either input A or B are selected)
13	Input to turn the console off lamp on if input B is selected
14	Remote channel on lamp
15	+15V

Notes

Items in red are special functions related to this PROM. PROM must be special ordered and is field interchangeable.

*These functions require programming on the input control card. See preceding page for details.

Control inputs to the console (pins 1,2,5 & 12) require a momentary contact to ground to activate.

Lamp Control inputs to the console (pins 6 & 13) require a holding contact to ground to activate.

Control outputs from the console (pins 3,4,7 & 11) are open collector lines which go low (to ground) when activated.

The cough button (pin 8) requires a holding connection to +15 volts (pin 15) for the duration of the function.