

StudioHub+ 4 Source Switcher

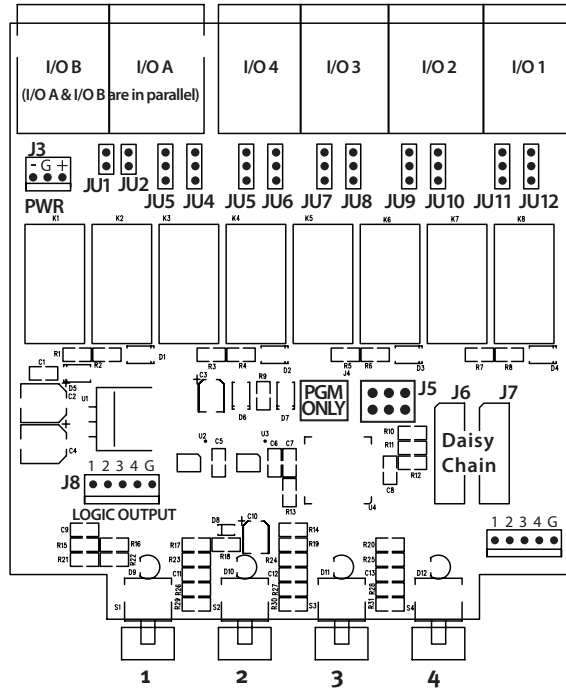
The SH-4SHSS is an active device and must be powered via +/- 15VDC. Power flows via StudioHub+ "DC-Link" if connected to any Cat-5 cable with +/- 15VDC active on Pins 7&8. Or, utilize optional power supply is part # PS-WWUSH.

Input selects will be maintained in the event of a power failure.

Input select switches may be remote controlled via pins on connector J4.

The unit is fully bidirectional and may switch 4 inputs to 1 output or 1 input to 4 outputs

This circuit board is packaged alone for single 1x4 use, or up to 4 maybe interconnected for up to a 1x16 switching application.



Special Purpose Logic Output J8
(Special PROM required)

- 1 +5VDC
- 2 NC
- 3 Pull to Ground #1
- 4 Pull to Ground #2
- 5 GND

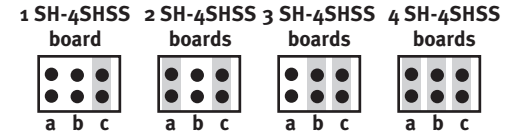
J5 – Programming

(Note- power must be cycled for mode change)

Install C for momentary operation (default)



Remove C for holding operation



Shielding Jumpers:

- JU1 – insert to connect power ground to chassis ground
- JU2 – insert to connect power ground to shield

Mono/Stereo Jumpers JU5-JU12:

To make inputs stereo set both jumpers to upper position



To make inputs mono set both jumpers to lower position

