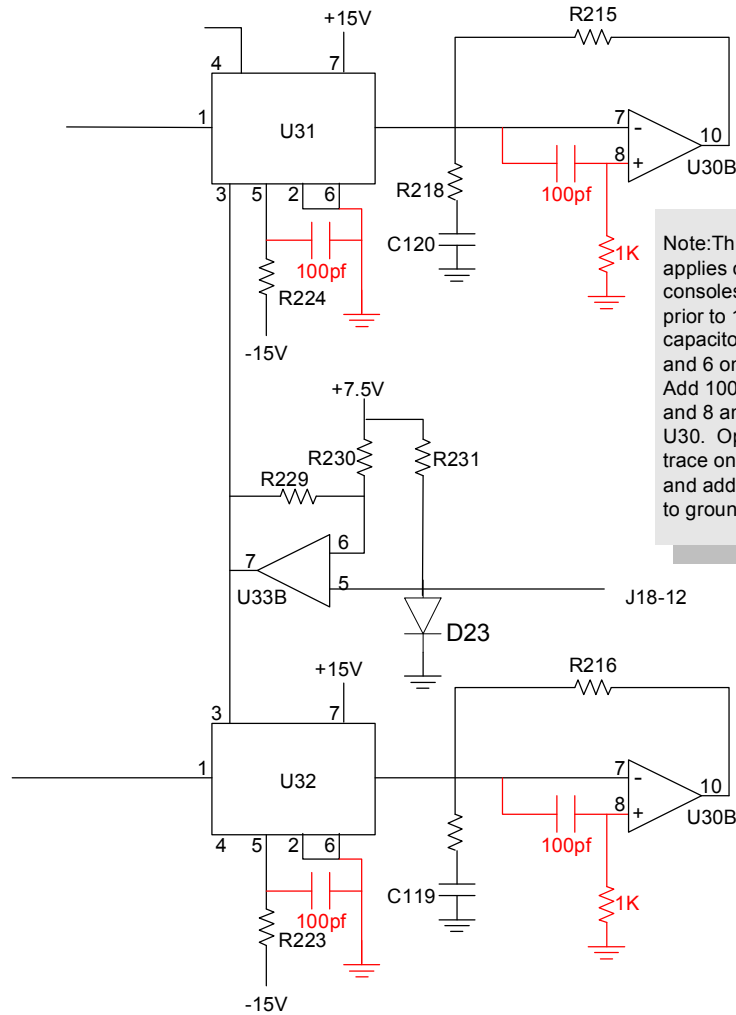


Technical Bulletin

No: 129 – Output Board RF Bypassing

Note: Applies only to consoles produced prior to 1995



Note: This modification applies only to RS Series consoles manufactured prior to 1995. Add 100pf capacitors between pins 5 and 6 on U31 and U32. Add 100pf between pins 7 and 8 and pins 4 and 5 on U30. Open the ground trace on U30 pins 4 and 8 and add 1kOhm resistors to ground



601 Heron Drive
Logan Township, NJ 08085
Phone: 856-467-8000 • Fax: 856-467-3044
<http://www.radiosystems.com>