

Technical Bulletin

No: 131 – Millenium Console Power Up with Channel On

Bulletin # 131
Model: RS-6a, 12a, 18a, 24a
Subject: Millenium Console power up with channel on
Date: February 13, 2002
Procedure:

Occasionally a customer prefers a channel to come up in an ON condition when the console is initially powered up or in event of a power failure upon which the console loses power and re-initializes. This bulletin describes a circuit that will allow the console to go through its normal initialization then turn the designated channel/s ON.

The following circuit can be constructed on a 15 pin Male D-sub Connector RS Part no 8311. The components are small enough to fit into the available shell of the connector. Assembled unit can be purchased using RS Part no 14840.

Plug the completed circuit into the remote control connector on the input control card for the designated channel to be turned on at power up.

Parts list:

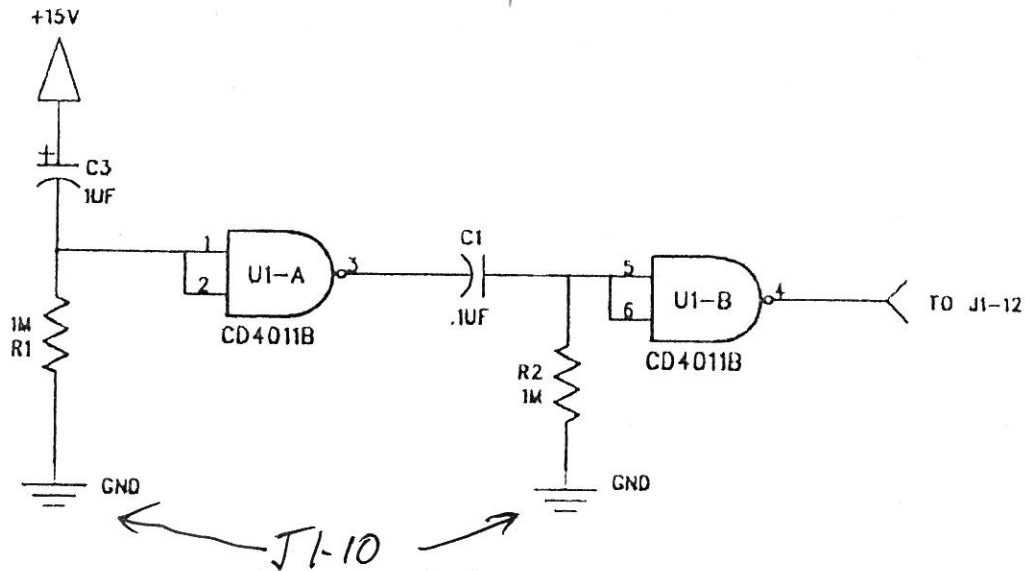
C1	.1uf	5743
C2	10uf 50v	8875
C3	1uf 100v	10953
J1	15pin Male	8311
	15pin "D" Housing	8312
R1, R2	1meg 1/4w	5716
U1	4011	2715



601 Heron Drive
Logan Township, NJ 08085
Phone: 856-467-8000 • Fax: 856-467-3044
<http://www.radiosystems.com>

14840

J1-15



CONNECT U1-14 TO +15V
CONNECT U1-7 TO GND

J1-15

