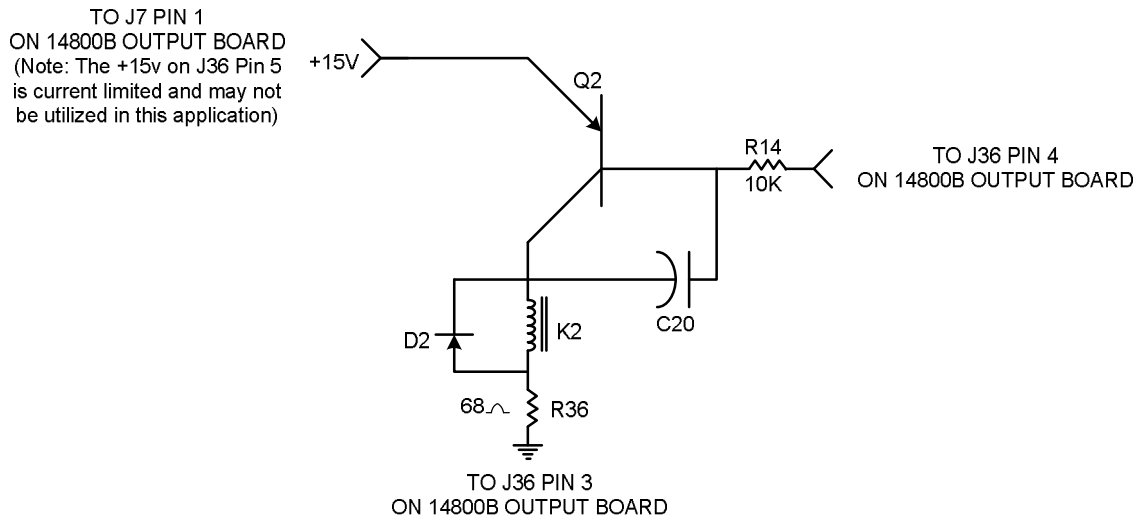


Technical Bulletin

No: 140 – Talkback Control Lead Buffering

- Model:** Millenium Analog/Digital Consoles **No:** 140
 (Applies to Analog Output Bd,
 Part #14800B shipped after September 2003.)
- Subject:** Talkback Control Lead Buffering **Date:** 08/01/2007
 for remote relay activation
- Symptom:** The “control” pin appearing on J36-4 of the talkback connector is in parallel with the talkback switch on the console front panel. Connecting this lead to ground (J36-3) will cause the talkback to activate.
- Solution:** Customers desiring to use this pin to activate an external relay (or other powered devices) may do so by fabricating and connecting the buffered control circuitry shown below.



Ref. Designator	Description	RS Part #
R14	10K ¼ watt resistor 5%	1017
R36	68 Ohm ¼watt resistor 5%	9072
D2	Diode 1N4005	7012
K2	Relay DPDT 12V	7784
Q2	Transistor TIP-125	8762
C20	10PF Capacitor +/-10% 500V	5862



601 Heron Drive
 Logan Township, NJ 08085
 Phone: 856-467-8000 • Fax: 856-467-3044
<http://www.radiosystems.com>