

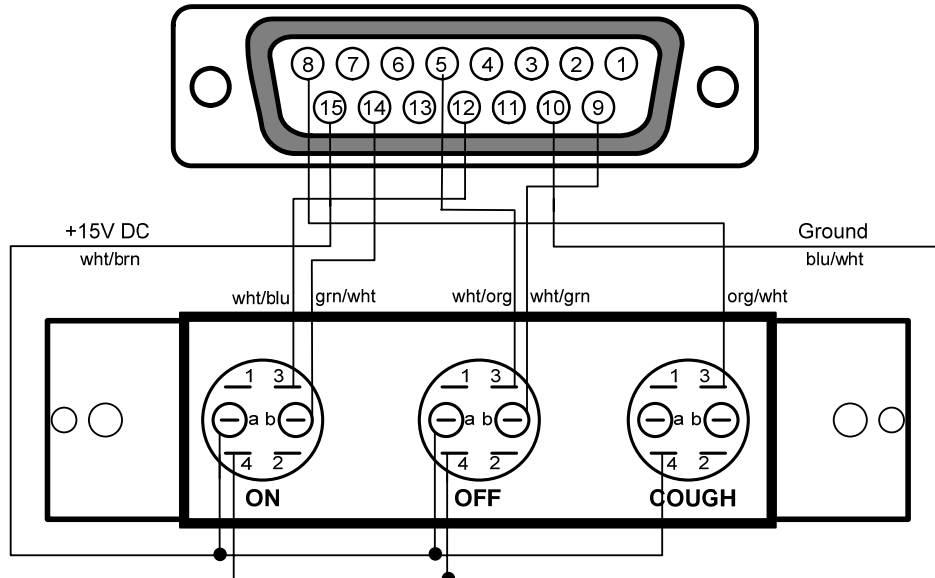
Technical Bulletin

No: 142 – Mic On/Off/Cough Push Button Wiring

For Mic On/Off/Cough Control (A Input Only) – Part #14531

RJ-45 PIN # (Color)	"D" PIN #	Function	Input/Output	Signal
1 (wht/org)	5	Channel Off Control - Input A	Input	Active when pulled to ground
2 (org/wht)	8	Cough	Input	DC
3 (wht/grn)	9	Off Lamp	Lamps	DC
4 (blu/wht)	10	Ground		Ground
5 (wht/blu)	12	Channel On Control - Input A	Input	Active when pulled to ground
6 (grn/wht)	14	On lamp	Lamps	DC
7 (wht/brn)	15	+15V DC	Power	DC

Wiring to StudioHub+ 3 Push Button Plate Shown



Pins	Contact
1-2	Normally Closed
3-4	Normally Open
A-B	Lamp



601 Heron Drive
 Logan Township, NJ 08085
 Phone: 856-467-8000 • Fax: 856-467-3044
<http://www.radiosystems.com>