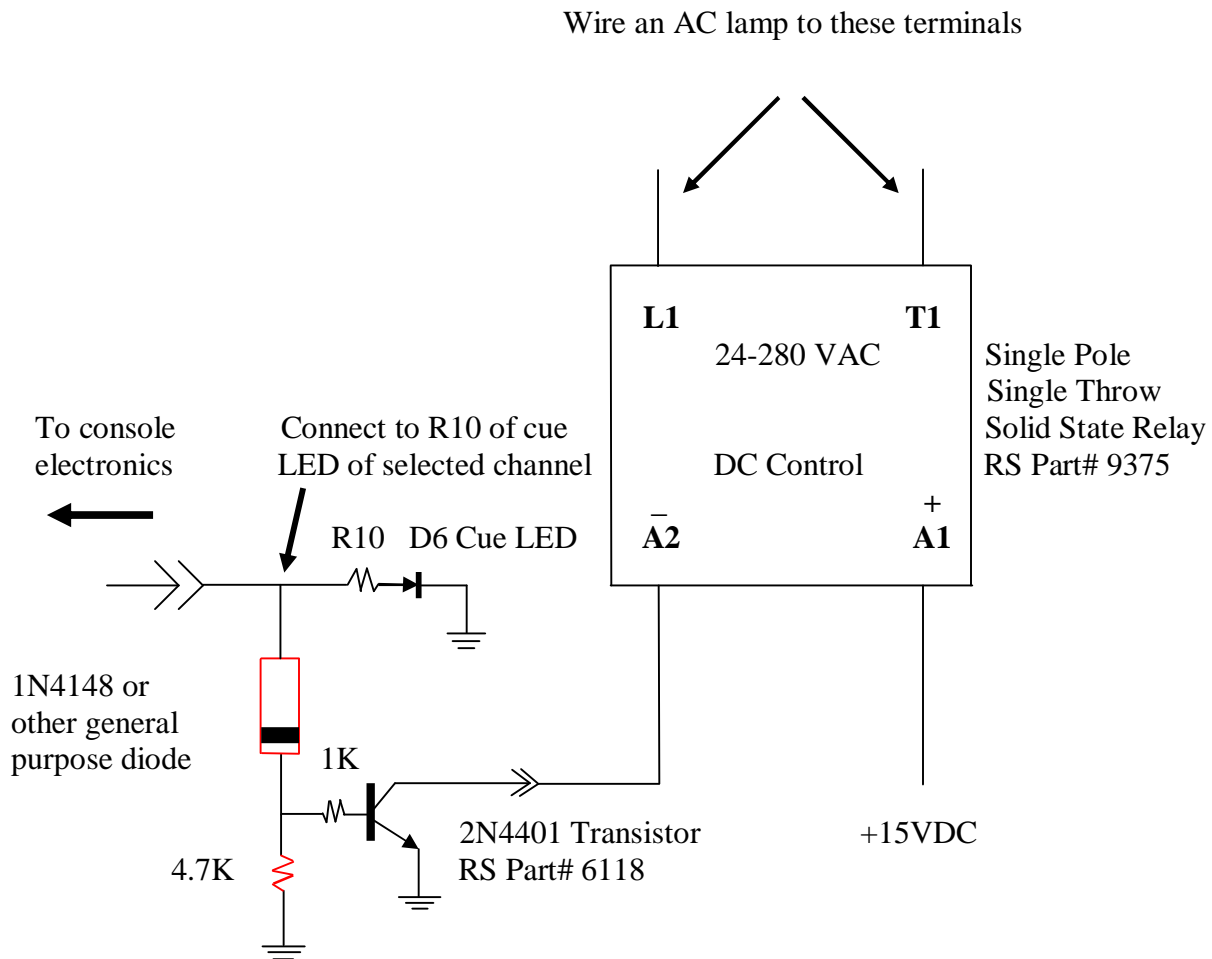


## Technical Bulletin

### No. 144 - Remote Output for Millenium Console Cue (on) State



**For multiple channels connect to R10 at each designated channel and add all parts shown in red.**