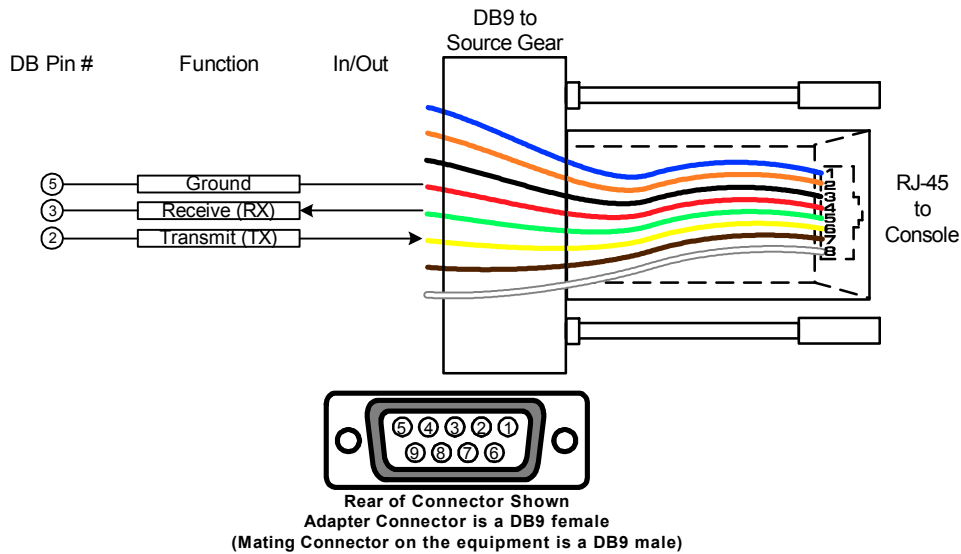


# Technical Bulletin

## No. 145: Millenium Network Console - Password Reset for Livewire Browser Screens

- Locate the gray Millenium RS-232 adapter shipped with your console originally; it is a DB-9 to RJ45 adapter (pinouts below). Use a standard Ethernet patch cord of sufficient length to go between your PC and the console.
- Plug in DB-9 side of the adapter to your PC
- Plug the RJ45 side (using the above-mentioned cable) to the AUX RS232 port on the Livewire audio board. This port is located directly behind the MAIN port
- Start a HyperTerminal (hyperterm) connection with the following characteristics:
  - 19200 Baud
  - 8/N/1 bits
  - None for Flow Control
  - ANSI for language
  - Turn off Local Echo
- Re-boot the Millenium console once the HyperTerminal connection is made. You should see a boot sequence scroll on your PC screen.
- Once the console boots, press ENTER a few times on your PC to get to a command prompt
- Type: "cp /etc/default/passwd /etc/config/"
  - Do not type the quotes (") and notice the space between passwd and /etc
- This will reset the password to "user"



### Complete Millenium Digital RS-232 Data Remote Control Functions

DB-9 PIN #	Function	Input/Output
1	N/C	
2	Transmit (TX)	Output
3	Receive (RX)	Input
4	N/C	
5	Signal Ground	
6	N/C	
7	N/C	
8	N/C	
9	N/C	



601 Heron Drive  
Logan Township, NJ 08085  
Phone: 856-467-8000 • Fax: 856-467-3044  
<http://www.radiosystems.com>